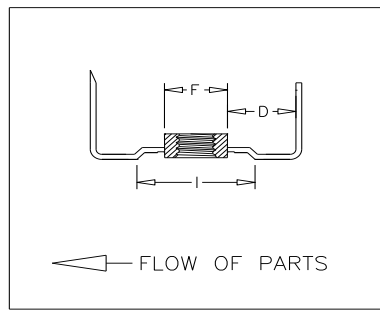
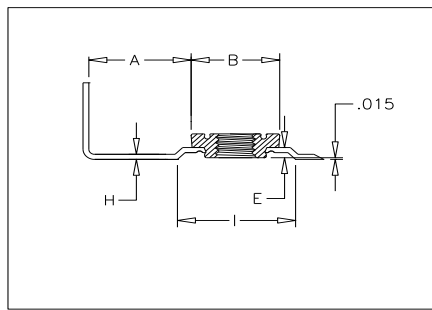


EMBOSS INFORMATION FOR P&T NUTS

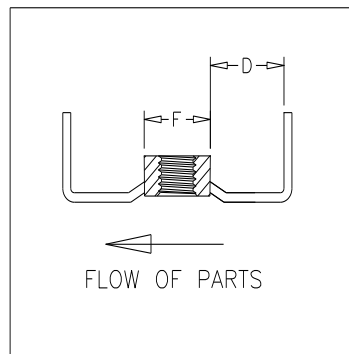
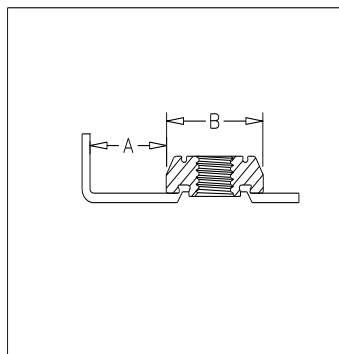


I = SQUARE, RECTANGULAR OR ROUND EMBOSS MAY BE USED

$$\text{EMBOSS DEPTH} = (\text{DIM E}) - (\text{DIM H}) + 0.015$$

BODY STYLE	A	B	D	E	F	H
T252 INCH	0.796	0.681 - 0.697	0.583	0.123 - 0.129	0.480 - 0.496	0.051 - 0.106
MM	20.22	17.30 - 17.70	14.80	3.12 - 3.28	12.20 - 12.60	1.30 - 2.69
T213 INCH	0.796	0.681 - 0.697	0.583	0.084 - 0.090	0.480 - 0.496	0.026 - 0.077
MM	20.22	17.30 - 17.70	14.80	2.13 - 2.29	12.20 - 12.60	0.66 - 1.96
P187 INCH	0.88	0.495 - 0.505	0.583	0.075 - 0.081	0.365 - 0.374	0.025 - 0.066
MM	22.35	12.57 - 12.83	14.80	1.90 - 2.06	9.28 - 9.50	0.64 - 1.68

NO EMBOSS REQUIRED FOR R&S NUTS



BODY STYLE	A	B	D	F
S281 INCH	0.82	0.807 - 0.817	0.583	0.547 - 0.560
MM	20.8	20.49 - 20.75	14.80	13.89 - 14.22
S311 INCH	0.82	0.807 - 0.817	0.583	0.547 - 0.560
MM	20.8	20.49 - 20.75	14.80	13.89 - 14.22
R205 INCH	0.72	0.710 - 0.715	0.583	0.447-0.457
MM	18.29	18.03 - 18.16	14.80	11.36 - 11.61
R235 INCH	0.72	0.710 - 0.715	0.583	0.447-0.457
MM	18.29	18.03 - 18.16	14.80	11.36 - 11.61

For More Information contact:
 U.S. offices and Manufacturing
 750 Hogan Road Manchester, MI 48158
 (734) 428-8070 Fax: (734) 428-7369
www.fasteneradvance.com